



Reinventing **energy efficiency**

Get a \$1,500 Federal Tax Credit in 2009 or 2010 with your purchase of an environmentally friendly Bosch condensing tankless water heater. Find out more today by visiting our website at: www.BoschPro.com



RESIDENTIAL
Tankless Condensing Water Heaters



GWH C 920 ES

- ▶ Output capacity: 9.2 gallons per minute
- ▶ Power input: 25,000 BTU/Hr Min 225,000 BTU/Hr Max
- ▶ Maximum water temperature: 140°F
- ▶ Thermal efficiency: 94%

GWH C 800 ES

- ▶ Output capacity: 8.0 gallons per minute
- ▶ Power input: Minimum power is 19,900 BTU 199,000 BTU/Hr Max
- ▶ Maximum water temperature: 140°F
- ▶ Energy Factor: 0.91
- ▶ Thermal efficiency: 92%

COMMERCIAL
Tankless Condensing Water Heaters



GWH C 920 ESC

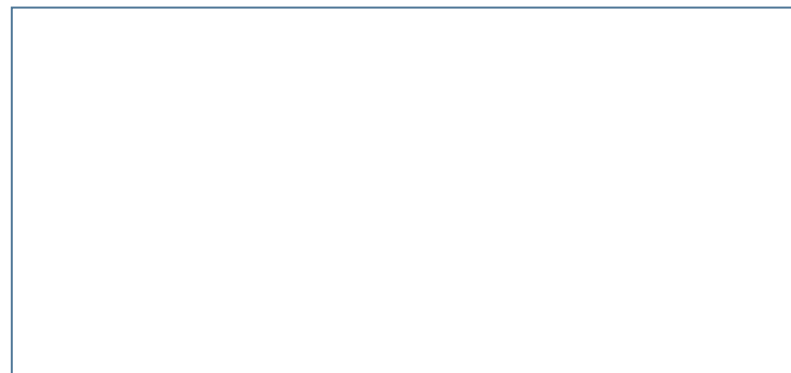
- ▶ Output capacity: 9.2 gallons per minute
- ▶ Power input: 25,000 BTU/Hr Min 225,000 BTU/Hr Max
- ▶ Maximum water temperature: 180°F
- ▶ Thermal efficiency: 94%

Bosch Thermotechnology Corp.

50 Wentworth Avenue,
Londonderry,
NH 03053
Telephone 1-866-642-3198
Fax 1-603-584-1681
www.bosch.com

Printed on Elemental Chlorine Free, FSC-certified, minimum 10% PCW paper with vegetable-based inks.

DEALER/ INSTALLER INFORMATION



Saving money
has never been so comfortable.

ProTankless™
Water Heaters



BOSCH
Invented for life



What would your family or business do with the money saved by a **Bosch tankless water heater**?

With over 75 years of experience, Bosch's proven European innovation and engineering provides you with ultra efficient water heating solutions. Bosch condensing tankless water heaters are designed for maximum efficiency, cleaner emissions and remarkable savings.

What's the problem with traditional tanks?

Traditional tanks are not energy-efficient – they continue heating water 24 hours a day, consume unnecessary energy, increase your bills and harm our environment. In addition, traditional tank water heaters are limited to heating water stored in a tank. Once the tank's hot water is depleted, the water runs cold. Eroding and rusty, traditional tanks also collect sediment at the bottom of the tank, reducing their efficiency, output and overall life expectancy.

Why switch to Bosch condensing tankless water heaters?

The tankless advantage means you'll get an endless supply of hot water right when you need it. Practical and compact, tankless water heaters don't store water

– they simply heat it on demand, as it flows through the system. Our water heaters have a powerful output and an outstanding lifespan.

Plus, Bosch condensing tankless water heaters are highly efficient, helping you save energy and reduce your water heating bills up to 50%.*

Because clean energy is critical for the future, Bosch condensing technology is the first one on the market to already meet the lower nitrogen oxides (NOx) emission standards set for 2012 by California's South Coast Air Quality Management District (SCAQMD).

*Savings potential is contingent to type of water heater replaced, hot water usage, utility rates and maintenance schedules exact savings results may differ depending on variables.

LOW NOx
EMISSIONS

Bosch's Condensing technology greatly reduces the NOx emissions (nitrogen oxides) helping to create a better and cleaner country for our families and generations to come. The Bosch Condensing tankless water heaters fall below the 2012 SCAQMD NOx levels and are currently the first in the market to do so.

Residential & commercial tankless condensing water heaters

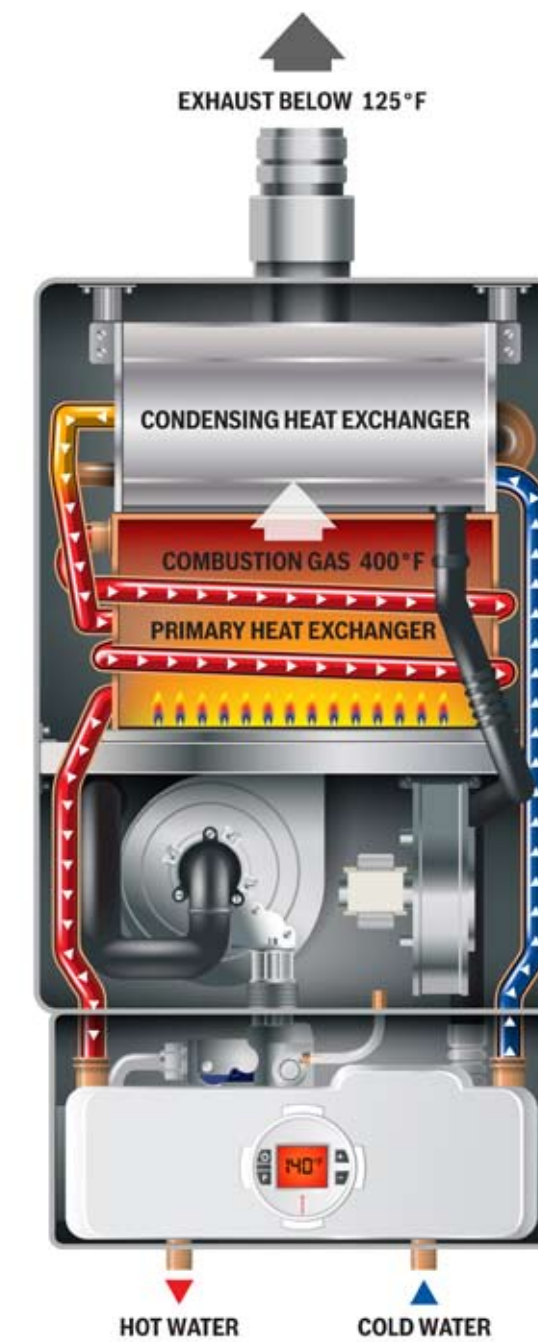
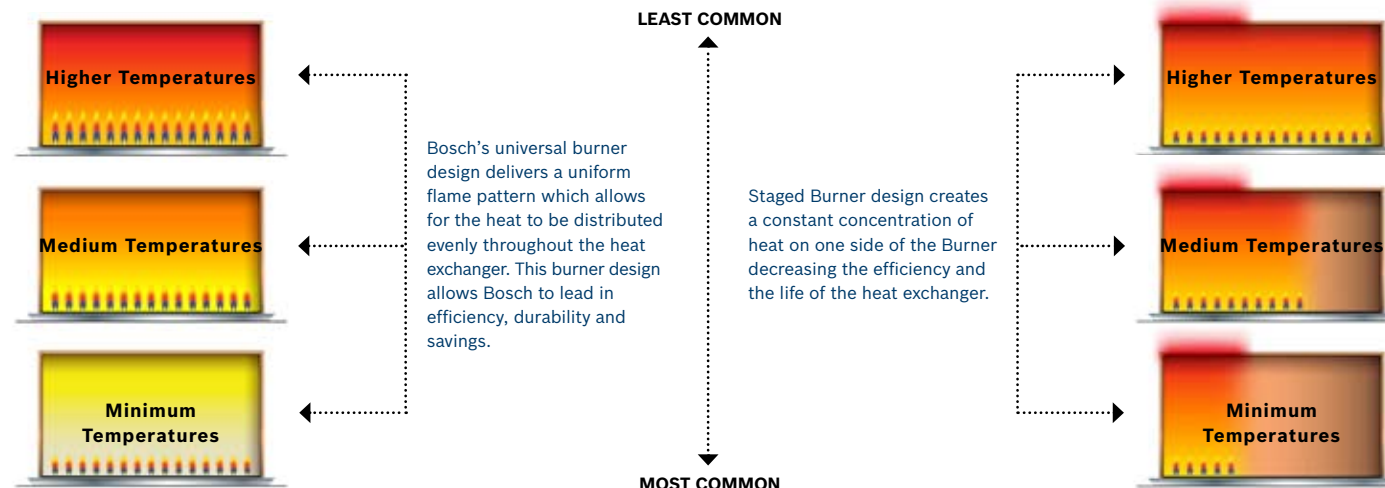
How does Bosch deliver quality design?

Bosch condensing tankless water heaters have a lifespan of over 20 years—that's twice the average lifespan of a traditional tank water heater. Our superior condensing heat exchangers are designed with a dual compound of aluminum and copper, allowing our condensing water heaters to capture 10% more heat energy than a traditional tankless water heater.

The modulating burner design in our water heaters creates a vertical flame pattern that adjusts in height to ensure uniform flame coverage across the burner for greater efficiency and heat exchanger durability.

Bosch Burner Design

Bosch Universal Burner Design modulates the flame in height while keeping a universal and even flame pattern on the burner eliminating opportunity for one spot on the heat exchanger to have a repeated high concentration of heat.



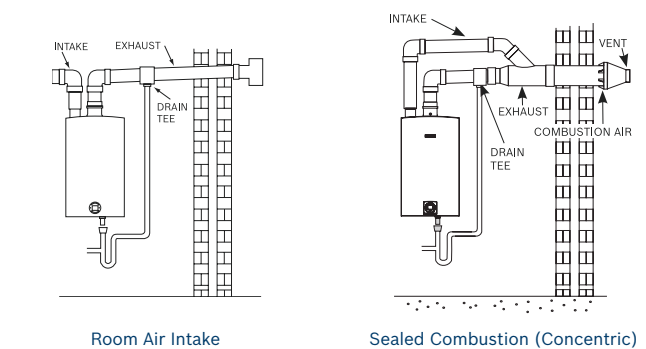
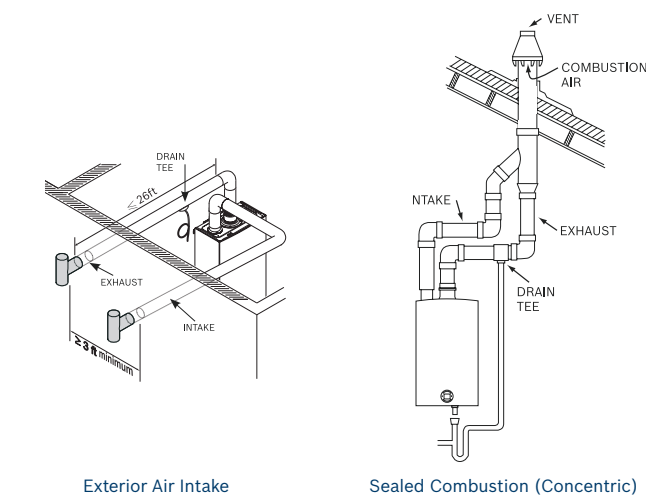
The Bosch C 920 ES Series and the C 800 ES gas tankless water heaters are ultra efficient fully condensing water heaters. Unlike traditional hot water heaters, a condensing unit captures heat from the exhaust gas and uses it to preheat the incoming cold water, making Bosch Condensing Tankless water heaters 50% more efficient than a traditional gas storage tank.

What makes Bosch condensing tankless water heaters so versatile?

Our condensing water heaters give you a wide range of installation alternatives, including indoor and outdoor options, as well as the ability to cascade (link) multiple units for higher flow demands.

Each of our condensing water heaters uses affordable PVC venting, ensuring lower installation costs when compared to stainless steel venting used in non-condensing water heaters.

Horizontal and Vertical Venting Configurations



Maximize space and capacity by cascading 4 units together for your commercial water heating needs. Bosch commercial units are designed to work independently or integrated within current systems such as tank loading, re-circulation or even as a back up for solar installations.